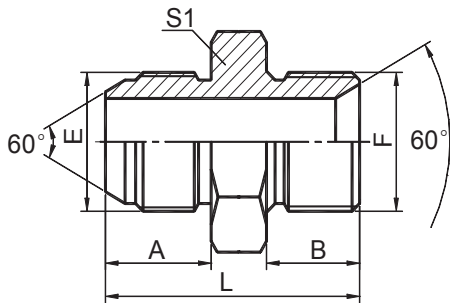


1S

日本英管外螺纹 60° 外锥
JIS GAS MALE 60° CONE

代号 PART NO.	螺 纹 THREAD		尺 寸 DIMENSIONS					
	E	F			A	B	L	S1
1S-02	G1/8"X28	G1/8"X28			12	12	30	14
1S-04	G1/4"X19	G1/4"X19			16	16	38	17
1S-06	G3/8"X19	G3/8"X19			18	18	42	19
1S-08	G1/2"X14	G1/2"X14			20	20	48	22
1S-12	G3/4"X14	G3/4"X14			22	22	54	30
1S-16	G1"X11	G1"X11			24	24	59	36
1S-20	G1.1/4"X11	G1.1/4"X11			27	27	67	46
1S-24	G1.1/2"X11	G1.1/2"X11			27	27	69	50
1S-32	G2"X11	G2"X11			30	30	77	65

过渡接头 ADAPTER

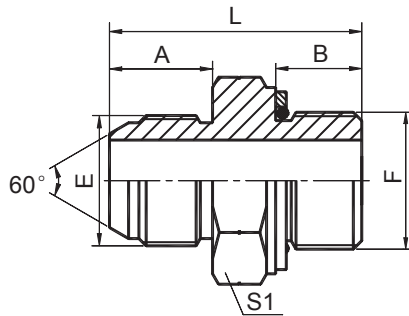


1SB

日式英管外螺纹 60° 外锥 / 英管外螺纹 60° 内锥
 JIS GAS MALE 60° CONE/BSP MALE 60° SEAT

代号 PART NO.	螺纹 THREAD		尺寸 DIMENSIONS					
	E	F	A	B	L	S1		
1SB-04	G1/4"X19	G1/4"X19	16	12	34	19		
1SB-04-06	G1/4"X19	G3/8"X19	16	13.5	37.5	22		
1SB-06	G3/8"X19	G3/8"X19	18	13.5	39.5	22		
1SB-06-04	G3/8"X19	G1/4"X19	18	12	36	19		
1SB-06-08	G3/8"X19	G1/2"X14	18	16	44	27		
1SB-08	G1/2"X14	G1/2"X14	20	16	46	27		
1SB-08-06	G1/2"X14	G3/8"X19	20	13.5	41.5	22		
1SB-08-12	G1/2"X14	G3/4"X14	20	18.5	49.5	32		
1SB-12	G3/4"X14	G3/4"X14	22	18.5	51.5	32		
1SB-12-06	G3/4"X14	G3/8"X19	22	13.5	45.5	30		
1SB-12-08	G3/4"X14	G1/2"X14	22	16	48	30		
1SB-12-16	G3/4"X14	G1"X11	22	20.5	55.5	41		
1SB-16	G1"X11	G1"X11	24	20.5	57.5	41		
1SB-16-08	G1"X11	G1/2"X14	24	16	51	36		
1SB-16-12	G1"X11	G3/4"X14	24	18.5	53.5	36		

过渡接头 ADAPTER



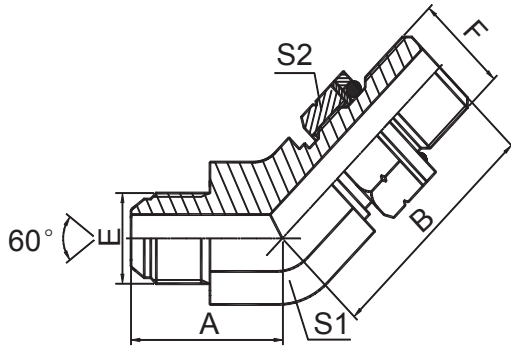
1SG

日本英管外螺纹 60° 外锥 / 英管外螺纹 O 形圈
 JIS GAS MALE 60° CONE / BSP MALE O-RING

代号 PART NO.	螺 纹 THREAD		O 形圈 O-RING		尺 寸 DIMENSIONS				
	E	F		F 端	A	B	L	S1	
1SG-02	G1/8"X28	G1/8"X28		O011	12	9.5	29	14	
1SG-04	G1/4"X19	G1/4"X19		O111	16	11	33.5	19	
1SG-06	G3/8"X19	G3/8"X19		O113	18	11.5	37.5	22	
1SG-08	G1/2"X14	G1/2"X14		O115	20	14	44	27	
1SG-12	G3/4"X14	G3/4"X14		O119	22	15.5	48.5	32	
1SG-16	G1"X11	G1"X11		O217	24	18	55	41	
1SG-20	G1.1/4"X11	G1.1/4"X11		O222	27	20	59	50	
1SG-24	G1.1/2"X11	G1.1/2"X11		O224	27	21.5	62.5	55	

注：F 端与 DIN 3852 油口相配。 F end is connected with DIN 3852 port.

过渡接头 ADAPTER



1SG4-OG

45° 弯日本英管外螺纹

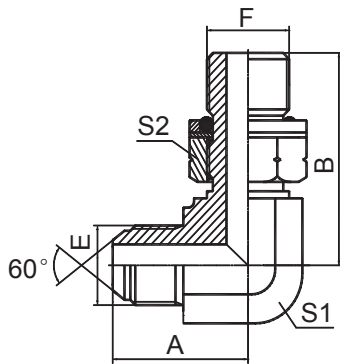
60° 外锥 / 英管外螺纹 O 形圈

45° ELBOW JIS GAS MALE

60° CONE / BSP MALE O-RING

代号 PART NO.	螺纹 THREAD		O 形圈 O-RING		尺寸 DIMENSIONS				
	E	F		F 端	A	B	S1	S2	
1SG4-02OG	G1/8"X28	G1/8"X28		O011	19				
1SG4-04OG				O111					
					44.5	47.5	41	50	
1SG4-24OG	G1.1/2"X11	G1.1/2"X11		O224	47.5	51.5	48	55	

注：F 端与 DIN 3852 油口相配。 F end is connected with DIN 3852 port.



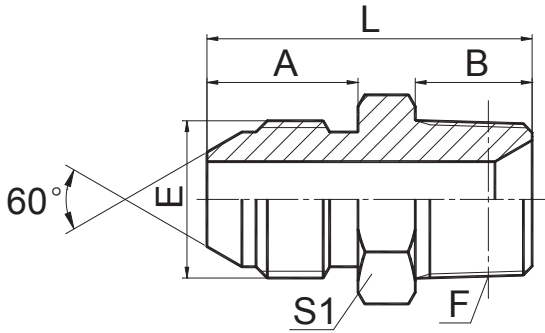
1SG9-OG

90° 弯日本英管外螺纹
 60° 外锥 / 英管外螺纹 O 形圈
 90° ELBOW JIS GAS MALE
 60° CONE / BSP MALE O-RING

代号 PART NO.	螺纹 THREAD		O 形圈 O-RING		尺寸 DIMENSIONS				
	E	F		F 端	A	B	S1	S2	
1SG9-02OG	G1/8"X28	G1/8"X28		O011	21.8	26.2	11	14	
1SG9-04OG	G1/4"X19	G1/4"X19		O111	28	31.3	14	19	
1SG9-06OG	G3/8"X19	G3/8"X19		O113	29	35.8	16	22	
1SG9-08OG	G1/2"X14	G1/2"X14		O115	38	43.2	22	27	
1SG9-12OG	G3/4"X14	G3/4"X14		O119	43	49.3	27	32	
1SG9-16OG	G1"X11	G1"X11		O217	48.5	53	33	41	
1SG9-20OG	G1.1/4"X11	G1.1/4"X11		O222	57	59	41	50	
1SG9-24OG	G1.1/2"X11	G1.1/2"X11		O224	61	65	48	55	

注：F 端与 DIN 3852 油口相配。 F end is connected with DIN 3852 port.

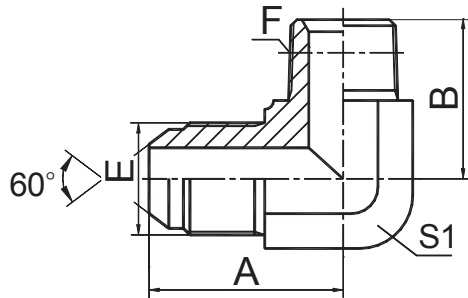
过渡接头 ADAPTER



1SN

日本英管外螺纹 60° 外锥 / 美制布锥管外螺纹
JIS GAS MALE 60° CONE/NPT MALE

代号 PART NO.	螺纹 THREAD		尺寸 DIMENSIONS						
	E	F			A	B	L	S1	
1SN-04	G1/4"X19	Z1/4"X18			16	15	37	17	
1SN-04-02	G1/4"X19	Z1/8"X27			16	10.5	32.5	17	
1SN-06	G3/8"X19	Z3/8"X18			18	16	40	19	
1SN-06-04	G3/8"X19	Z1/4"X18			18	15	39	19	
1SN-08	G1/2"X14	Z1/2"X14			20	19.5	47.5	22	
1SN-08-06	G1/2"X14	Z3/8"X18			20	16	44	22	
1SN-12	G3/4"X14	Z3/4"X14			22	19.5	51.5	30	
1SN-12-08	G3/4"X14	Z1/2"X14			22	19.5	51.5	30	
1SN-16	G1"X11	Z1"X11.5			24	25.5	60.5	36	
1SN-16-12	G1"X11	Z3/4"X14			24	19.5	54.5	36	
1SN-20	G1.1/4"X11	Z1.1/4"X11.5			27	26.5	66.5	46	
1SN-20-16	G1.1/4"X11	Z1"X11.5			27	25.5	65.5	46	
1SN-24	G1.1/2"X11	Z1.1/2"X11.5			27	27.5	69.5	50	

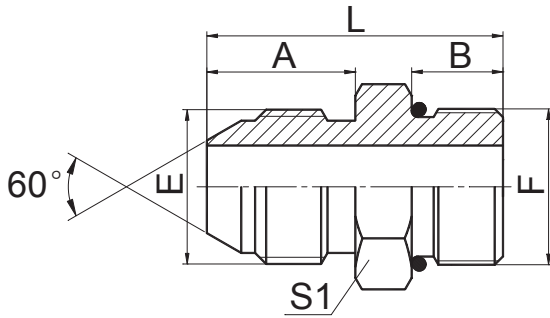


1SN9

90° 日本英管外螺纹 60° 外锥 / 美制布锥管外螺纹
90° JIS GAS MALE 60° CONE/NPT MALE

代号 PART NO.	螺纹 THREAD		尺寸 DIMENSIONS						
	E	F			A	B	S1		
1SN9-04	G1/4"X19	Z1/4"X18			26.3	25.5	14		
1SN9-06	G3/8"X19	Z3/8"X18			33.5	31	19		
1SN9-06-04	G3/8"X19	Z1/4"X18			31.5	26.5	16		
1SN9-08	G1/2"X14	Z1/2"X14			38	34.5	22		
1SN9-08-06	G1/2"X14	Z3/8"X18			38	33.5	22		
1SN9-12	G3/4"X14	Z3/4"X14			43	43.5	27		
1SN9-12-08	G3/4"X14	Z1/2"X14			43	33.5	27		
1SN9-16	G1"X11	Z1"X11.5			48.5	50	33		
1SN9-16-12	G1"X11	Z3/4"X14			48.5	47	33		
1SN9-20	G1.1/4"X11	Z1.1/4"X11.5			57	53	41		
1SN9-20-16	G1.1/4"X11	Z1"X11.5			57	54	41		

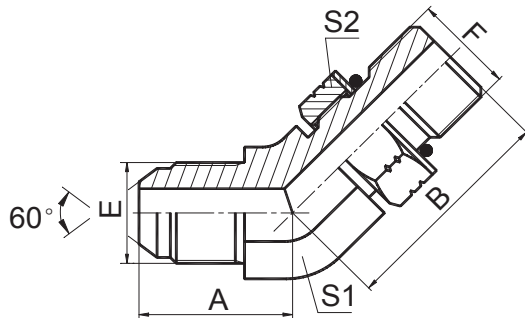
过渡接头 ADAPTER



1SO

日式英管外螺纹 / 美制 SAE 外螺纹 O 形圈
JIS GAS MALE/SAE MALE O-RING

代号 PART NO.	螺纹 THREAD		O 形圈 O-RING F 端	尺寸 DIMENSIONS				
	E	F		A	B	L	S1	
1SO-04	G1/4"X19	7/16"X20	O904	16	9.1	31	14	
1SO-04-06	G1/4"X19	9/16"X18	O906	16	9.9	32	17	
1SO-06-04	G3/8"X19	7/16"X20	O904	18	9.1	33	17	
1SO-06	G3/8"X19	9/16"X18	O906	18	9.9	34	17	
1SO-08-06	G1/2"X14	9/16"X18	O906	20	11.1	38	22	
1SO-08	G1/2"X14	3/4"X16	O908	20	11.1	39	22	
1SO-12-10	G3/4"X14	7/8"X14	O910	22	12.7	44.5	30	
1SO-12	G3/4"X14	1.1/16"X12	O912	22	15.1	48	32	
1SO-16-12	G1"X11	1.1/16"X12	O912	24	15.1	50	36	
1SO-16	G1"X11	1.5/16"X12	O916	24	15.1	50	38	
1SO-20-16	G1.1/4"X11	1.5/16"X12	O916	27	15.1	55	46	
1SO-20	G1.1/4"X11	1.5/8"X12	O920	27	15.1	57	50	
1SO-24-20	G1.1/2"X11	1.5/8"X12	O920	27	15.1	57	50	
1SO-24	G1.1/2"X11	1.7/8"X12	O924	27	15.1	57	55	

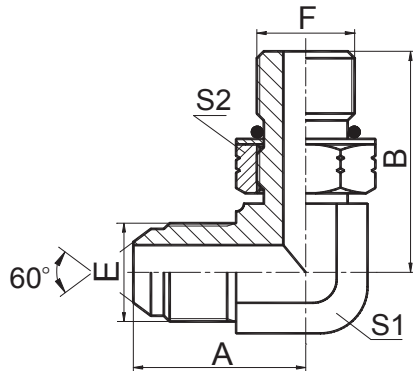


1SO4-OG

45° 日式英管外螺纹 / 美制 SAE 外螺纹 O 形圈

45° JIS GAS BSP MALE/SAE O-RING BOSS

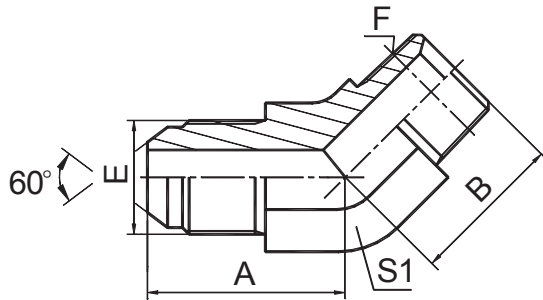
代号 PART NO.	螺纹 THREAD		O 形圈 O-RING F 端	尺寸 DIMENSIONS				
	E	F		A	B		S1	S2
1SO4-04OG	G1/4"X19	7/16"X20	O904	24	26		14	17
1SO4-04-06OG	G1/4"X19	9/16"X18	O906	24	27.5		14	19
1SO4-06-04OG	G3/8"X19	7/16"X20	O904	24	28		16	17
1SO4-06OG	G3/8"X19	9/16"X18	O906	24	27.5		16	19
1SO4-06-08OG	G3/8"X19	3/4"X16	O908	25	31.5		19	24
1SO4-08-06OG	G1/2"X14	9/16"X18	O906	31	30		22	19
1SO4-08OG	G1/2"X14	3/4"X16	O908	31	33		22	24
1SO4-12-10OG	G3/4"X14	7/8"X14	O910	34.5	42		27	27
1SO4-12OG	G3/4"X14	1.1/16"X12	O912	34.5	44		27	32
1SO4-16-12OG	G1"X11	1.1/16"X12	O912	37.5	45		33	32
1SO4-16OG	G1"X11	1.5/16"X12	O916	37.5	45.5		33	41
1SO4-20-16OG	G1.1/4"X11	1.5/16"X12	O916	44.5	48.5		41	41
1SO4-20OG	G1.1/4"X11	1.5/8"X12	O920	44.5	48.5		41	50
1SO4-24-20OG	G1.1/2"X11	1.5/8"X12	O920	47.5	50.5		48	50
1SO4-24OG	G1.1/2"X11	1.7/8"X12	O924	47.5	50.5		48	55



1SO9-OG

90° 日式英管外螺纹 / 美制 SAE 外螺纹 O 形圈
 90° JIS GAS BSP MALE/SAE O-RING BOSS

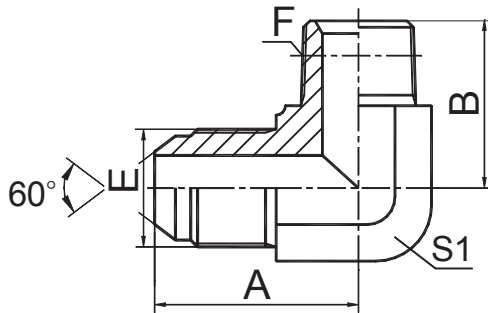
代号 PART NO.	螺纹 THREAD		O 形圈 O-RING F 端	尺寸 DIMENSIONS				
	E	F		A	B		S1	S2
1SO9-04OG	G1/4"X19	7/16"X20	O904	28	30.5		14	17
1SO9-04-06OG	G1/4"X19	9/16"X18	O906	28	31.8		14	19
1SO9-06-04OG	G3/8"X19	7/16"X20	O904	29	31.5		16	17
1SO9-06OG	G3/8"X19	9/16"X18	O906	29	33.3		16	19
1SO9-06-08OG	G3/8"X19	3/4"X16	O908	32	37.5		19	24
1SO9-08-06OG	G1/2"X14	9/16"X18	O906	38	37		22	19
1SO9-08OG	G1/2"X14	3/4"X16	O908	38	40		22	24
1SO9-12-10OG	G3/4"X14	7/8"X14	O910	43	47		27	27
1SO9-12OG	G3/4"X14	1.1/16"X12	O912	43	51		27	32
1SO9-16-12OG	G1"X11	1.1/16"X12	O912	48.5	54.5		33	32
1SO9-16OG	G1"X11	1.5/16"X12	O916	48.5	54.5		33	41
1SO9-20-16OG	G1.1/4"X11	1.5/16"X12	O916	57	59.5		41	41
1SO9-20OG	G1.1/4"X11	1.5/8"X12	O920	57	59.5		41	50
1SO9-24-20OG	G1.1/2"X11	1.5/8"X12	O920	61	63		48	50
1SO9-24OG	G1.1/2"X11	1.7/8"X12	O924	61	63		48	55



1ST4-SP

45° 弯日本英管外螺纹
 60° 外锥 / 英锥管外螺纹
 45° ELBOW JIS GAS MALE
 60° CONE / BSPT MALE

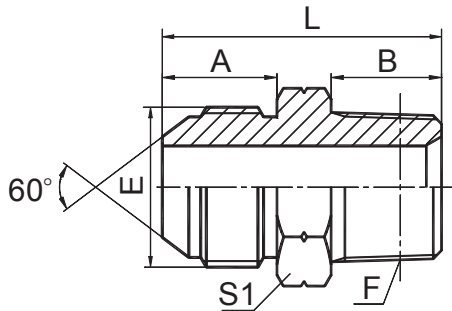
代号 PART NO.	螺纹 THREAD		尺寸 DIMENSIONS					
	E	F	A	B	S1			
1ST4-02SP	G1/8"X28	R1/8"X28	19	17	11			
1ST4-02-04SP	G1/8"X28	R1/4"X19	19.8	21	14			
1ST4-04SP	G1/4"X19	R1/4"X19	24	21	14			
1ST4-04-02SP	G1/4"X19	R1/8"X28	24.5	17.5	14			
1ST4-04-06SP	G1/4"X19	R3/8"X19	24.5	23	16			
1ST4-04-08SP	G1/4"X19	R1/2"X14	26.5	29.5	22			
1ST4-06SP	G3/8"X19	R3/8"X19	26	23	16			
1ST4-06-04SP	G3/8"X19	R1/4"X19	26	21	16			
1ST4-06-08SP	G3/8"X19	R1/2"X14	28.5	29.5	22			
1ST4-08SP	G1/2"X14	R1/2"X14	31	29.5	22			
1ST4-08-06SP	G1/2"X14	R3/8"X19	30.5	25	22			
1ST4-12SP	G3/4"X14	R3/4"X14	34.5	30.5	27			
1ST4-12-08SP	G3/4"X14	R1/2"X14	34	30	27			
1ST4-16SP	G1"X11	R1"X11	37.5	38	33			
1ST4-16-12SP	G1"X11	R3/4"X14	37.5	32	33			
1ST4-20SP	G1.1/4"X11	R1.1/4"X11	44.5	43	41			
1ST4-24SP	G1.1/2"X11	R1.1/2"X11	47.5	47	48			
1ST4-32SP	G2"X11	R2"X11	54	53	63			



1ST9-SP

90° 弯日本英管外螺纹
 60° 外锥 / 英锥管外螺纹
 90° ELBOW JIS GAS MALE
 60° CONE / BSPT MALE

代号 PART NO.	螺纹 THREAD		尺寸 DIMENSIONS					
	E	F	A	B	S1			
1ST9-02SP	G1/8"X28	R1/8"X28	21.8	21	11			
1ST9-02-04SP	G1/8"X28	R1/4"X19	24.3	25.5	14			
1ST9-04SP	G1/4"X19	R1/4"X19	29	25.5	14			
1ST9-04-02SP	G1/4"X19	R1/8"X28	29	23.5	14			
1ST9-04-06SP	G1/4"X19	R3/8"X19	30	28.5	16			
1ST9-06SP	G3/8"X19	R3/8"X19	31.5	28.5	16			
1ST9-06-04SP	G3/8"X19	R1/4"X19	31.5	26.5	16			
1ST9-06-08SP	G3/8"X19	R1/2"X14	36	36	22			
1ST9-08SP	G1/2"X14	R1/2"X14	38	36	22			
1ST9-08-06SP	G1/2"X14	R3/8"X19	38	32.5	22			
1ST9-08-12SP	G1/2"X14	R3/4"X14	41	43.5	27			
1ST9-12SP	G3/4"X14	R3/4"X14	43	43.5	27			
1ST9-12-08SP	G3/4"X14	R1/2"X14	43	39.5	27			
1ST9-12-16SP	G3/4"X14	R1"X11	47	50	33			
1ST9-16SP	G1"X11	R1"X11	48.5	50	33			
1ST9-20SP	G1.1/4"X11	R1.1/4"X11	57	56.5	41			
1ST9-24SP	G1.1/2"X11	R1.1/2"X11	61	62.5	48			
1ST9-32SP	G2"X11	R2"X11	73.2	74.2	63			

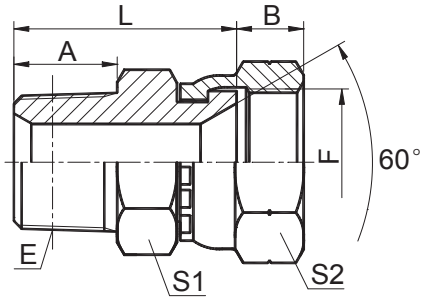


1ST-SP

日本英管外螺纹 60° 外锥 / 英锥管外螺纹
 JIS GAS MALE 60° CONE / BSPT MALE

代号 PART NO.	螺纹 THREAD		尺寸 DIMENSIONS					
	E	F		A	B	L	S1	
1ST-02SP	G1/8"X28	R1/8"X28		12	10	28	14	
1ST-02-04SP	G1/8"X28	R1/4"X19		12	14.5	32.5	17	
1ST-04SP	G1/4"X19	R1/4"X19		16	14.5	36.5	17	
1ST-04-02SP	G1/4"X19	R1/8"X28		16	10	32	17	
1ST-04-06SP	G1/4"X19	R3/8"X19		16	15	37	19	
1ST-04-08SP	G1/4"X19	R1/2"X14		16	20	44	22	
1ST-06SP	G3/8"X19	R3/8"X19		18	15	39	19	
1ST-06-04SP	G3/8"X19	R1/4"X19		18	14.5	40.5	22	
1ST-06-08SP	G3/8"X19	R1/2"X14		18	20	46	22	
1ST-08SP	G1/2"X14	R1/2"X14		20	20	48	22	
1ST-08-04SP	G1/2"X14	R1/4"X19		20	14.5	42.5	22	
1ST-08-06SP	G1/2"X14	R3/8"X19		20	15	45	27	
1ST-08-12SP	G1/2"X14	R3/4"X14		20	20	50	27	
1ST-12SP	G3/4"X14	R3/4"X14		22	20	53	30	
1ST-12-08SP	G3/4"X14	R1/2"X14		22	20	52	30	
1ST-12-16SP	G3/4"X14	R1"X11		22	25.5	58.5	36	
1ST-16SP	G1"X11	R1"X11		24	25.5	62.5	41	
1ST-16-12SP	G1"X11	R3/4"X14		24	20	57	41	
1ST-20SP	G1.1/4"X11	R1.1/4"X11		27	26.5	66	46	
1ST-24SP	G1.1/2"X11	R1.1/2"X11		27	26.5	67.5	50	
1ST-32SP	G2"X11	R2"X11		30	30	77	65	

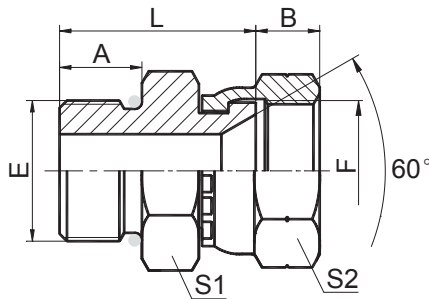
过渡接头 ADAPTER



2NS

美制布锥管外螺纹 / 日本英管内螺纹 60° 内锥面
 NPT MALE/JIS GAS FEMALE 60° CONE SEAT

代号 PART NO.	螺纹 THREAD		尺寸 DIMENSIONS						
	E	F			A	B	L	S1	S2
2NS-04	Z1/4"X18	G1/4"X19			15	8	29.5	17	19
2NS-06	Z3/8"X18	G3/8"X19			16	9	31.5	19	22
2NS-08	Z1/2"X14	G1/2"X14			19.5	10.5	38.5	22	27
2NS-12	Z3/4"X14	G3/4"X14			19.5	13.5	42.5	30	32
2NS-16	Z1"X11.5	G1"X11			25.5	14.5	50.5	36	41

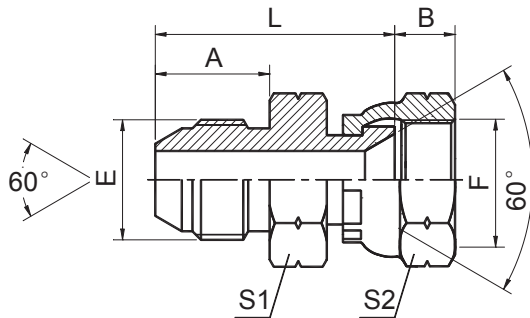


2OS

SAE 外螺纹 O 形圈 / 日本英管内螺纹 60° 内锥面
 SAE MALE O-RING / JIS GAS FEMALE 60° CONE SEAT

代号 PART NO.	螺纹 THREAD		O 形圈 O-RING		尺寸 DIMENSIONS				
	E	F	E 端		A	B	L	S1	S2
2OS-04	7/16"X20	G1/4"X19	O904		9.1	8	23.5	14	19
2OS-04-06	7/16"X20	G3/8"X19	O904		9.1	9	24.5	17	22
2OS-06	9/16"X18	G3/8"X19	O906		9.9	9	25.5	17	22
2OS-06-08	9/16"X18	G1/2"X14	O906		9.9	10.5	27	19	27
2OS-08	3/4"X16	G1/2"X14	O908		11.1	10.5	30	22	27
2OS-10-12	7/8"X14	G3/4"X14	O910		12.7	13.5	35	27	32
2OS-12	1.1/16"X12	G3/4"X14	O912		15.1	13.5	38.5	32	32
2OS-12-16	1.1/16"X12	G1"X11	O912		15.1	14.5	40	32	41
2OS-16	1.5/16"X12	G1"X11	O916		15.1	14.5	43	41	41

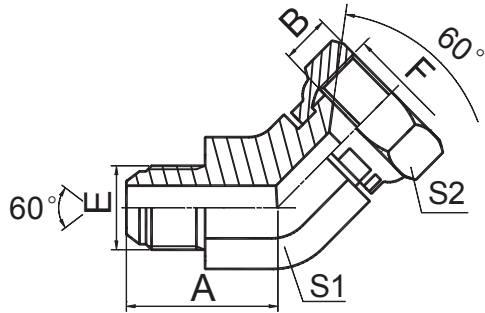
过渡接头 ADAPTER



2S

日式英管外螺纹 / 日式英管内螺纹
JIS GAS MALE/JIS GAS FEMALE

代号 PART NO.	螺纹 THREAD		尺寸 DIMENSIONS				
	E	F	A	B	S1	S2	L
2S-02	G1/8"X28	G1/8"X28	12	6.5	14	14	26
2S-04	G1/4"X19	G1/4"X19	16	8	17	19	30.5
2S-04-06	G1/4"X19	G3/8"X19	16	9	17	22	31.5
2S-06-04	G3/8"X19	G1/4"X19	18	8	19	19	33.5
2S-06	G3/8"X19	G3/8"X19	18	9	19	22	33.5
2S-06-08	G3/8"X19	G1/2"X14	18	12	19	27	35
2S-08-06	G1/2"X14	G3/8"X19	20	9	22	22	37.5
2S-08	G1/2"X14	G1/2"X14	20	12	22	27	39
2S-08-12	G1/2"X14	G3/4"X14	20	13.5	27	32	42.5
2S-12-08	G3/4"X14	G1/2"X14	22	12	30	27	43
2S-12	G3/4"X14	G3/4"X14	22	13.5	30	32	44.5
2S-12-16	G3/4"X14	G1"X11	22	16	32	41	47
2S-16-12	G1"X11	G3/4"X14	24	13.5	36	32	47.5
2S-16	G1"X11	G1"X11	24	16	36	41	49
2S-16-20	G1"X11	G1.1/4"X11	24	18.5	41	50	54
2S-20	G1.1/4"X11	G1.1/4"X11	27	18.5	46	50	54.5
2S-20-24	G1.1/4"X11	G1.1/2"X11	27	19	46	55	57.5
2S-24	G1.1/2"X11	G1.1/2"X11	27	19	50	55	59.5

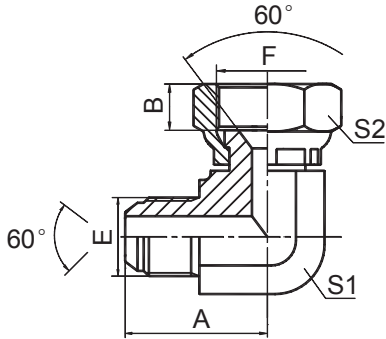


2S4

45° 日式英管外螺纹 / 日式英管内螺纹
 45° JIS GAS MALE/JIS GAS FEMALE

代号 PART NO.	螺纹 THREAD		尺寸 DIMENSIONS					
	E	F	A	B	S1	S2		
2S4-02	G1/8"X28	G1/8"X28	19	6.5	11	14		
2S4-04	G1/4"X19	G1/4"X19	24	8	14	19		
2S4-04-06	G1/4"X19	G3/8"X19	24	9	14	22		
2S4-06	G3/8"X19	G3/8"X19	26	9	16	22		
2S4-06-04	G3/8"X19	G1/4"X19	26	8	16	19		
2S4-06-08	G3/8"X19	G1/2"X14	26	12	16	27		
2S4-08	G1/2"X14	G1/2"X14	30.5	12	22	27		
2S4-08-06	G1/2"X14	G3/8"X19	30.5	9	22	22		
2S4-12	G3/4"X14	G3/4"X14	34	13.5	27	32		
2S4-16	G1"X11	G1"X11	37.5	16	33	41		
2S4-20	G1.1/4"X11	G1.1/4"X11	44.5	18.5	41	50		
2S4-24	G1.1/2"X11	G1.1/2"X11	47.5	19	48	55		

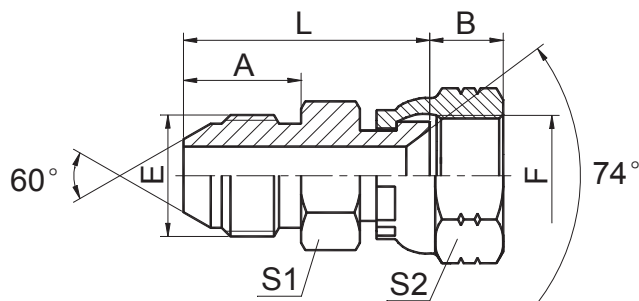
过渡接头 ADAPTER



2S9

90° 日式英管外螺纹 / 日式英管内螺纹
 90° JIS GAS MALE/JIS GAS FEMALE

代号 PART NO.	螺纹 THREAD		尺寸 DIMENSIONS					
	E	F	A	B	S1	S2		
2S9-02	G1/8"X28	G1/8"X28	21.8	6.5	11	14		
2S9-04	G1/4"X19	G1/4"X19	28.5	8	14	19		
2S9-04-06	G1/4"X19	G3/8"X19	28.5	9	14	22		
2S9-06	G3/8"X19	G3/8"X19	31.5	9	16	22		
2S9-06-04	G3/8"X19	G1/4"X19	31.5	8	16	19		
2S9-06-08	G3/8"X19	G1/2"X14	31.5	12	16	27		
2S9-08	G1/2"X14	G1/2"X14	38	12	22	27		
2S9-08-06	G1/2"X14	G3/8"X19	38	9	22	22		
2S9-12	G3/4"X14	G3/4"X14	43	13.5	27	32		
2S9-16	G1"X11	G1"X11	48.5	16	33	41		
2S9-20	G1.1/4"X11	G1.1/4"X11	57	18.5	41	50		
2S9-24	G1.1/2"X11	G1.1/2"X11	61	19	48	55		

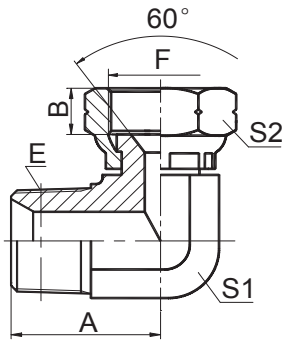


2SJ

日本英管外螺纹 60°
 外锥 /JIC 内螺纹 74° 内锥
 JIS GAS MALE 60° CONE/JIC
 FEMALE 74° CONE SEAT

代号 PART NO.	螺纹 THREAD		尺寸 DIMENSIONS				
	E	F	A	B	L	S1	S2
2SJ-04	G1/4"X19	7/16"X20	16	9	30	14	17
2SJ-06-04	G3/8"X19	7/16"X20	18	9	32	17	17
2SJ-06	G3/8"X19	9/16"X18	18	10.5	32.5	17	19
2SJ-08-06	G1/2"X14	9/16"X18	20	10.5	36.5	22	19
2SJ-08	G1/2"X14	3/4"X16	20	10.5	38.5	22	24
2SJ-12-10	G3/4"X14	7/8"X14	22	12	43	27	27
2SJ-12	G3/4"X14	1.1/16"X12	22	15	43.5	27	32
2SJ-16-12	G1"X11	1.1/16"X12	24	15	47.5	36	32
2SJ-16	G1"X11	1.5/16"X12	24	16	47.5	36	41
2SJ-20	G1.1/4"X11	1.5/8"X12	27	17	57	46	50
2SJ-20-24	G1.1/4"X11	1.7/8"X12	27	20	58.5	46	55

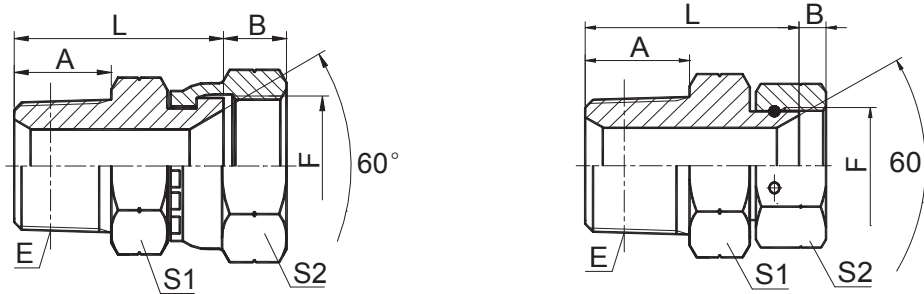
过渡接头 ADAPTER



2TS9-SP

90° 英锥管外螺纹 / 日本英管内螺纹 60°
 90° BSPT MALE/JIS BSP FEMALE 60°

代号 PART NO.	螺纹 THREAD		尺寸 DIMENSIONS						
	E	F			A	B	S1	S2	
2TS9-04SP	R1/4"X19	G1/4"X19			25.5	8	14	19	
2TS9-06SP	R3/8"X19	G3/8"X19			28.5	9	16	22	
2TS9-08SP	R1/2"X14	G1/2"X14			36	12	22	27	
2TS9-12SP	R3/4"X14	G3/4"X14			43.5	13.5	27	32	
2TS9-16SP	R1"X11	G1"X11			50	16	33	41	
2TS9-20SP	R1.1/4"X11	G1.1/4"X11			58	18.5	41	50	
2TS9-24SP	R1.1/2"X11	G1.1/2"X11			62.5	19	48	55	

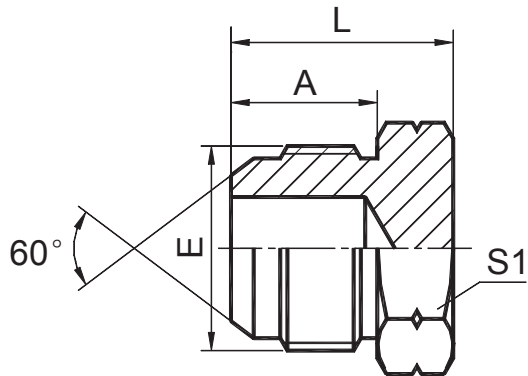


2TS-SP

英锥管外螺纹 / 日本英管内螺纹 60° 内锥面
BSPT MALE/JIS GAS FEMALE 60° CONE SEAT

代号 PART NO.	螺纹 THREAD		尺寸 DIMENSIONS						
	E	F			A	B	L	S1	S2
2TS-04SP	R1/4"X19	G1/4"X19			14.5	8	29	17	19
2TS-06SP	R3/8"X19	G3/8"X19			15	9	30.5	19	22
2TS-08SP	R1/2"X14	G1/2"X14			20	10.5	39	22	27
2TS-12SP	R3/4"X14	G3/4"X14			20	13.5	42.5	30	32
2TS-16SP	R1"X11	G1"X11			25.5	14.5	50.5	36	41
2TS-20SP	R1.1/4"X11	G1.1/4"X11			26.5	15.5	54	46	50
2TS-24SP	R1.1/2"X11	G1.1/2"X11			26.5	16	56	50	55
2TS-32SP	R2"X11	G2"X11			30	21.5	62	65	70

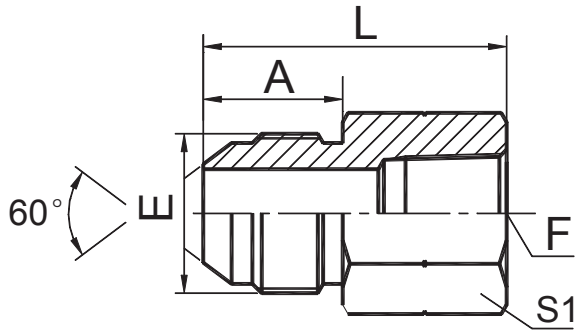
过渡接头 ADAPTER



4S

日本英管外螺纹 60° 外锥
JIS GAS MALE 60° CONE

代号 PART NO.	螺纹 THREAD				尺寸 DIMENSIONS				
	E				A	L	S1		
4S-02	G1/8"X28				12	18	14		
4S-04	G1/4"X19				16	24	17		
4S-06	G3/8"X19				18	24	19		
4S-08	G1/2"X14				20	28	22		
4S-12	G3/4"X14				22	32	30		
4S-16	G1"X11				24	35	36		
4S-20	G1.1/4"X11				27	40	46		
4S-24	G1.1/2"X11				27	42	50		
4S-32	G2"X11				30	47	65		

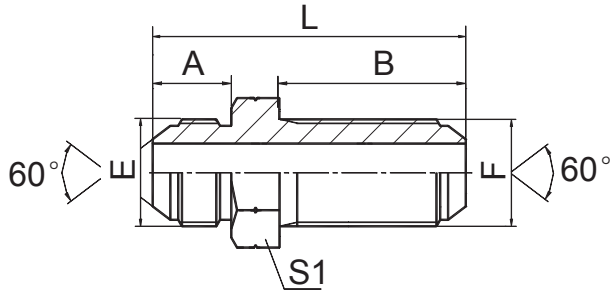


5ST

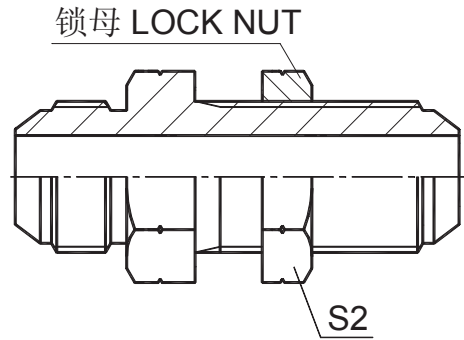
英管外螺纹 60° 外锥 / 英锥管内螺纹
 JIS GAS MALE 60° CONE/BSPT FEMALE

代号 PART NO.	螺纹 THREAD		尺寸 DIMENSIONS						
	E	F			A	L	S1		
5ST-04	G1/4"X19	Rc1/4"X19			14	35.5	19		
5ST-04-02	G1/4"X19	Rc1/8"X28			14	30	19		
5ST-04-06	G1/4"X19	Rc3/8"X19			14	35	22		
5ST-06	G3/8"X19	Rc3/8"X19			16	39.5	22		
5ST-06-04	G3/8"X19	Rc1/4"X19			16	37.5	19		
5ST-06-08	G3/8"X19	Rc1/2"X14			16	43.5	27		
5ST-08	G1/2"X14	Rc1/2"X14			19	48	27		
5ST-08-06	G1/2"X14	Rc3/8"X19			19	42.5	22		
5ST-12	G3/4"X14	Rc3/4"X14			21	52	36		
5ST-12-08	G3/4"X14	Rc1/2"X14			21	50	27		
5ST-16	G1"X11	Rc1"X11			23	59.5	41		

过渡接头 ADAPTER



6S



6S-LN

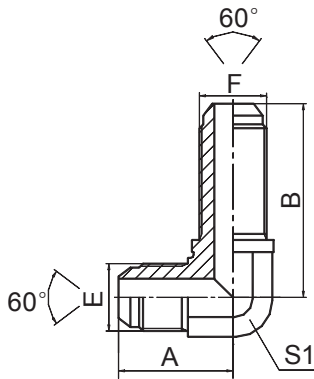
日本英管外螺纹 60° 外锥 过板接头
 JIS GAS MALE 60° CONE BULKHEAD

代号 PART NO.	螺纹 THREAD		尺寸 DIMENSIONS						
	E	F			A	B	L	S1	S2
6S-04	G1/4"X19	G1/4"X19			16	32	56	19	19
6S-06	G3/8"X19	G3/8"X19			18	36	62	22	22
6S-08	G1/2"X14	G1/2"X14			20	40	70	27	27
6S-12	G3/4"X14	G3/4"X14			22	41	74	32	32
6S-16	G1"X11	G1"X11			24	45	88	41	41

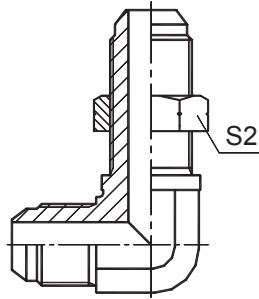
注：如需带锁母整套订货，则请在代号后加“LN”，如6S-16LN，锁母代号为8B。

Note: In case if you are interested to order the adapter in complete set with lock nut ,it is necessary to insert suffix "LN" after our part no.,for example 6S-16LN,The lock nut no. is 8B.

过渡接头 ADAPTER



6S9



6S9-LN

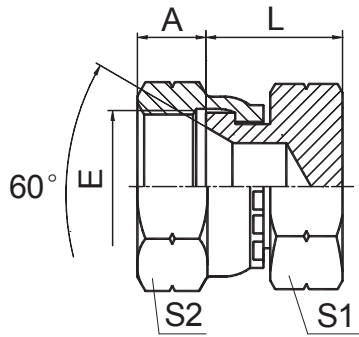
60° 日式英制外螺纹过板接头
60° JIS GAS MALE BULKHEAD

代号 PART NO.	螺纹 THREAD		尺寸 DIMENSIONS				
	E	F	A	B	S1	S2	
6S9-04	G1/4"X19	G1/4"X19	29	50	19	19	
6S9-06	G3/8"X19	G3/8"X19	33	52	22	22	
6S9-08	G1/2"X14	G1/2"X14	40.5	61.5	27	27	
6S9-12	G3/4"X14	G3/4"X14	45.5	66	33	32	
6S9-16	G1"X11	G1"X11	53	77	41	41	

注：如需带锁母整套订货，则请在代号后加“LN”，如6S9-16LN。

Note: In case if you are interested to order the adapter in complete set with lock nut , it is necessary to insert suffix "LN" after our part no.,for example 6S9-16LN.

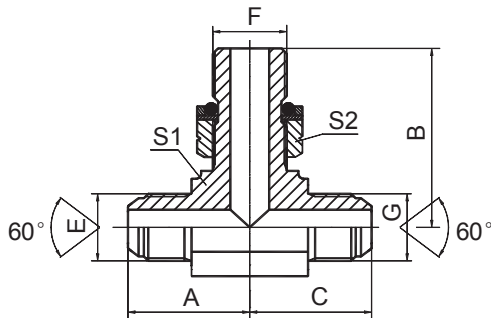
过渡接头 ADAPTER



9S

日本英管内螺纹 60° 内锥堵头
JIS GAS FEMALE 60° SEAT PLUG

代号 PART NO.	螺 纹 THREAD				尺 寸 DIMENSIONS				
	E				A	L	S1	S2	
9S-04	G1/4"X19				8	14.5	17	19	
9S-06	G3/8"X19				9	15.5	19	22	
9S-08	G1/2"X14				12	19	22	27	
9S-12	G3/4"X14				13.5	23.5	32	32	
9S-16	G1"X11				16	25	36	41	
9S-20	G1.1/4"X11				18.5	29.5	50	50	
9S-24	G1.1/2"X11				19	29.5	55	55	
9S-32	G2"X11				23	32	70	70	



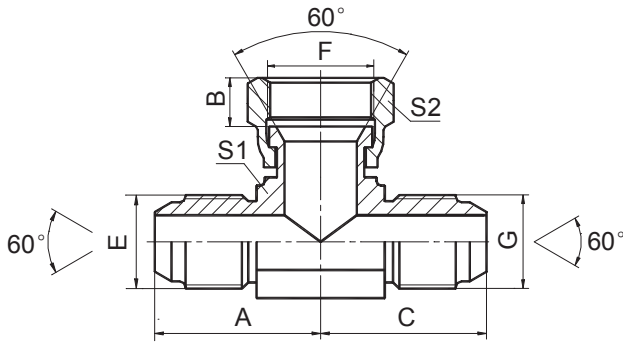
ASGS-OG

日本英管外螺纹 60° 外锥 / 英管外螺纹 O 形圈 三通
 JIS GAS MALE / BSP MALE O-RING BRANCH TEE

代号 PART NO.	螺纹 THREAD			O 形圈 O-RING		尺寸 DIMENSIONS				
	E	F	G		F 端	A	B	C	S1	S2
ASGS-02OG	G1/8"X28	G1/8"X28	G1/8"X28		O011	21.8	26.2	21.8	11	14
ASGS-04OG	G1/4"X19	G1/4"X19	G1/4"X19		O111	28	31.3	28	14	19
ASGS-06OG	G3/8"X19	G3/8"X19	G3/8"X19		O113	29	35.8	29	16	22
ASGS-08OG	G1/2"X14	G1/2"X14	G1/2"X14		O115	38	43.2	38	22	27
ASGS-12OG	G3/4"X14	G3/4"X14	G3/4"X14		O119	43	49.3	43	27	32
ASGS-16OG	G1"X11	G1"X11	G1"X11		O217	48.5	54.5	48.5	33	41
ASGS-20OG	G1.1/4"X11	G1.1/4"X11	G1.1/4"X11		O222	57	59	57	41	50
ASGS-24OG	G1.1/2"X11	G1.1/2"X11	G1.1/2"X11		O224	61	65	61	48	55

注：F 端与 DIN 3852 油口相配。 Note: F end is connected with DIN 3852 port.

过渡接头 ADAPTER

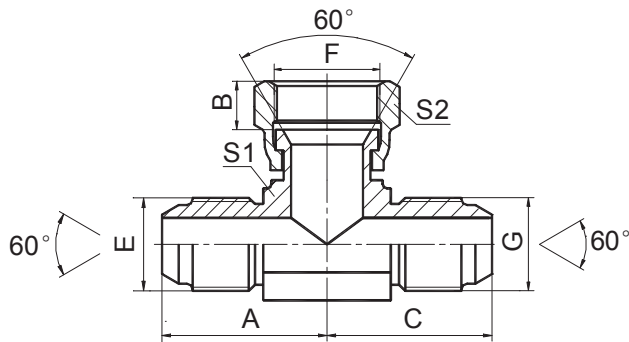


BS

日本英管外螺纹 60° 外锥 / 日本英
管内螺纹 60° 内锥 三通
JIS GAS MALE 60° CONE / JIS GAS
FEMALE 60° SEAT BRANCH TEE

代号 PART NO.	螺纹 THREAD			尺寸 DIMENSIONS						
	E	F	G			A	B	C	S1	S2
BS-04	G1/4"X19	G1/4"X19	G1/4"X19			28	8	28	14	19
BS-06	G3/8"X19	G3/8"X19	G3/8"X19			29	9	29	16	22
BS-08	G1/2"X14	G1/2"X14	G1/2"X14			38	12	38	22	27
BS-12	G3/4"X14	G3/4"X14	G3/4"X14			43	13.5	43	27	32
BS-16	G1"X11	G1"X11	G1"X11			48.5	16	48.5	33	41

过渡接头 ADAPTER

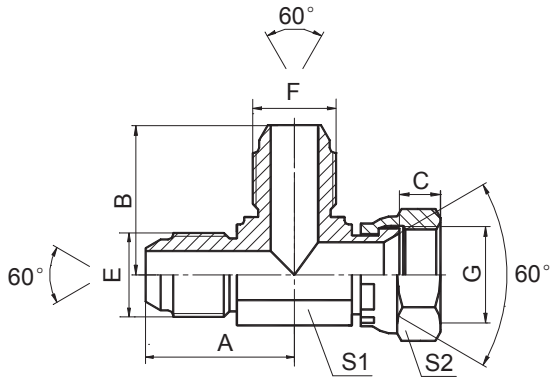


BS

日本英管外螺纹 60° 外锥 / 日本
 英管内螺纹 60° 内锥 三通
 JIS GAS MALE 60° CONE / JIS
 GAS FEMALE 60° SEAT BRANCH TEE

代号 PART NO.	螺纹 THREAD			尺寸 DIMENSIONS						
	E	F	G			A	B	C	S1	S2
BS-04	G1/4"X19	G1/4"X19	G1/4"X19			28	8	28	14	19
BS-06	G3/8"X19	G3/8"X19	G3/8"X19			29	9	29	16	22
BS-08	G1/2"X14	G1/2"X14	G1/2"X14			38	12	38	22	27
BS-12	G3/4"X14	G3/4"X14	G3/4"X14			43	13.5	43	27	32
BS-16	G1"X11	G1"X11	G1"X11			48.5	16	48.5	33	41

过渡接头 ADAPTER



CS

日本英管外螺纹 60° 外锥 / 日本
 英管内螺纹 60° 内锥 三通
 JIS GAS MALE 60° CONE / JIS
 GAS FEMALE 60° SEAT RUN TEE

代号 PART NO.	螺纹 THREAD			尺寸 DIMENSIONS					
	E	F	G	A	B	C	S1	S2	
CS-04	G1/4"X19	G1/4"X19	G1/4"X19	28	28	8	14	19	
CS-06	G3/8"X19	G3/8"X19	G3/8"X19	29	29	9	16	22	
CS-08	G1/2"X14	G1/2"X14	G1/2"X14	38	38	12	22	27	
CS-12	G3/4"X14	G3/4"X14	G3/4"X14	43	43	13.5	27	32	
CS-16	G1"X11	G1"X11	G1"X11	48.5	48.5	16	33	41	